

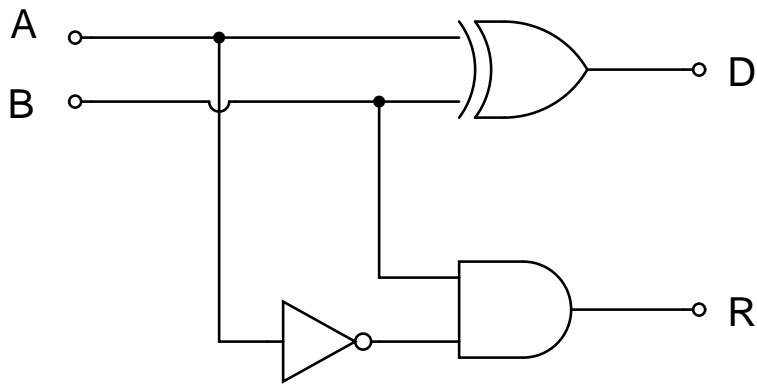
Problem 11.55

a.) $F = (A + B)\overline{C}$

c.) $F = (\overline{A} + \overline{B})(B + \overline{C})$

Problem 12.3

$$D = \overline{A}B + A\overline{B} = A \oplus B \text{ and } R = \overline{A}B$$



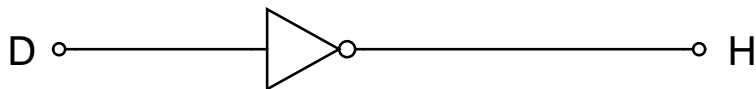
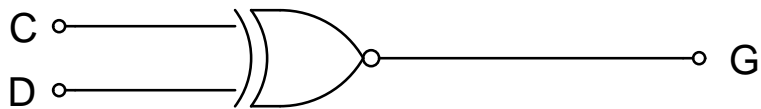
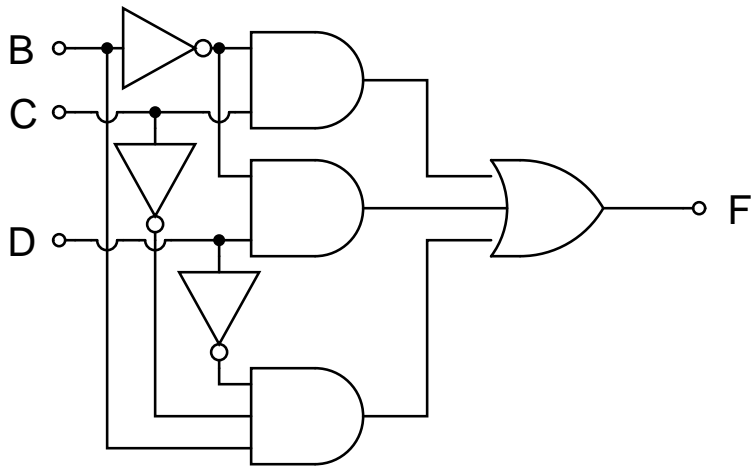
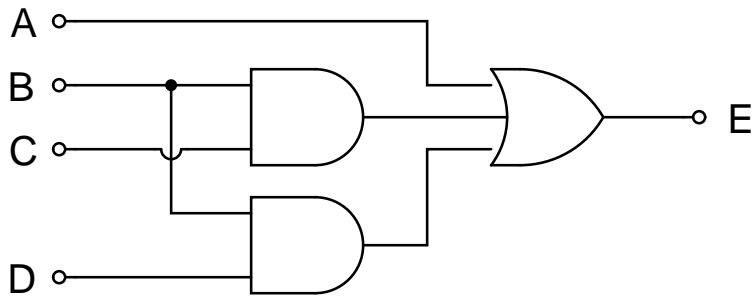
Problem 12.9

$$E = A + BC + BD$$

$$F = \overline{BC} + \overline{BD} + B\overline{C}\overline{D}$$

$$G = CD + \overline{C}\overline{D}$$

$$H = \overline{D}$$



Problem 12.30

S	R	Q	Q_{t+1}
0	0	0	0
0	0	1	1
0	1	0	0
0	1	1	0
1	0	0	1
1	0	1	1
1	1	0	0
1	1	1	0

